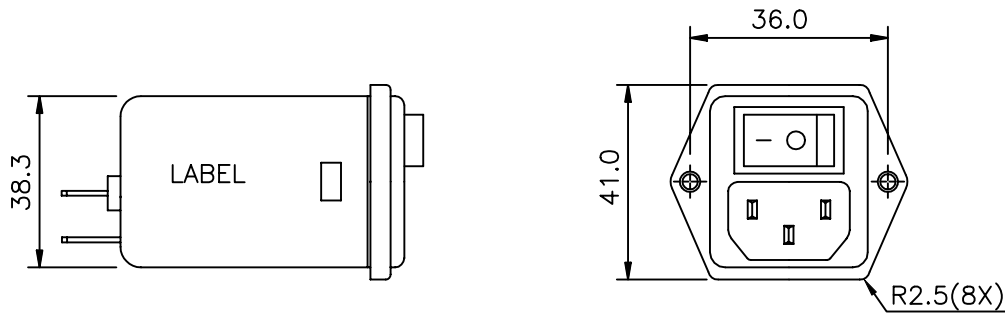


Revision			
Rev.	Description	Date	Approved

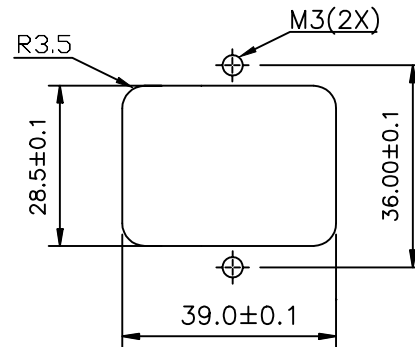
MECHANICAL DIMENSIONS :



1. ELECTRICAL CHARACTERISTICS:

- 1-1. VOLTAGE RATING ..... 115/250V
- 1-2. CURRENT RATING
  - A. AT 115VAC ..... 10 A RMS Max.
  - B. AT 250VAC ..... 10 A RMS Max.
- 1-3. OPERATING FREQUENCY..... 50/60 Hz
- 1-4. LEAKAGE CURRENT: EACH LINE TO GROUND
  - A. @115VAC 60Hz ..... 0.20 mA MAX.
  - B. @250VAC 50Hz ..... 0.40 mA MAX.

SUGGESTED MOUNTING CUTOUT



- 1-5. HIPOT RATING (FOR ONE MINUTE)
  - A. LINE TO GROUND ..... 2250 VDC
  - B. LINE TO LINE ..... 1450 VDC

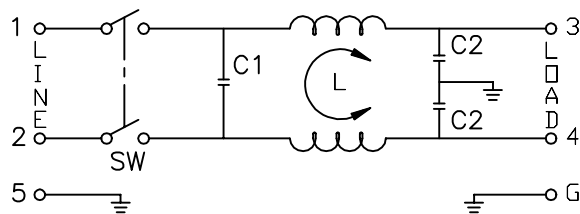
1-6. MINIMUM INSERTION LOSS IN dB:

FREQ. MHz	.01	.05	.10	.15	.50	1.0	5.0	10	30
COM. MODE dB	/	/	/	5	10	20	30	35	35
DIF. MODE dB	/	/	/	5	10	20	30	35	35

- 1-7. OPERATING TEMPERATURE: ..... -25°C TO +85°C

- 1-8. SAFETY :

ELECTRICAL SCHEMATIC :



L : 0.3 mH  
 C1 : 0.1 uF  
 C2 : 2200 pF

Dim range (mm)	Tolerance +/- (mm)	Qualtek Electronics Corp. PPC DIVISION		
		Part Number: 860-10/024		
0-1	0.15	Description: EMI FILTER		
1-6	0.20			
6-18	0.30	UNIT : mm.		Approved/Date
18-50	0.50			
50-120	0.70	Drawn/Date	Checked/Date	Approved/Date
120-250	0.90	B.ZHANG 02-04-03	D/02-04-03	
250-500	1.20			